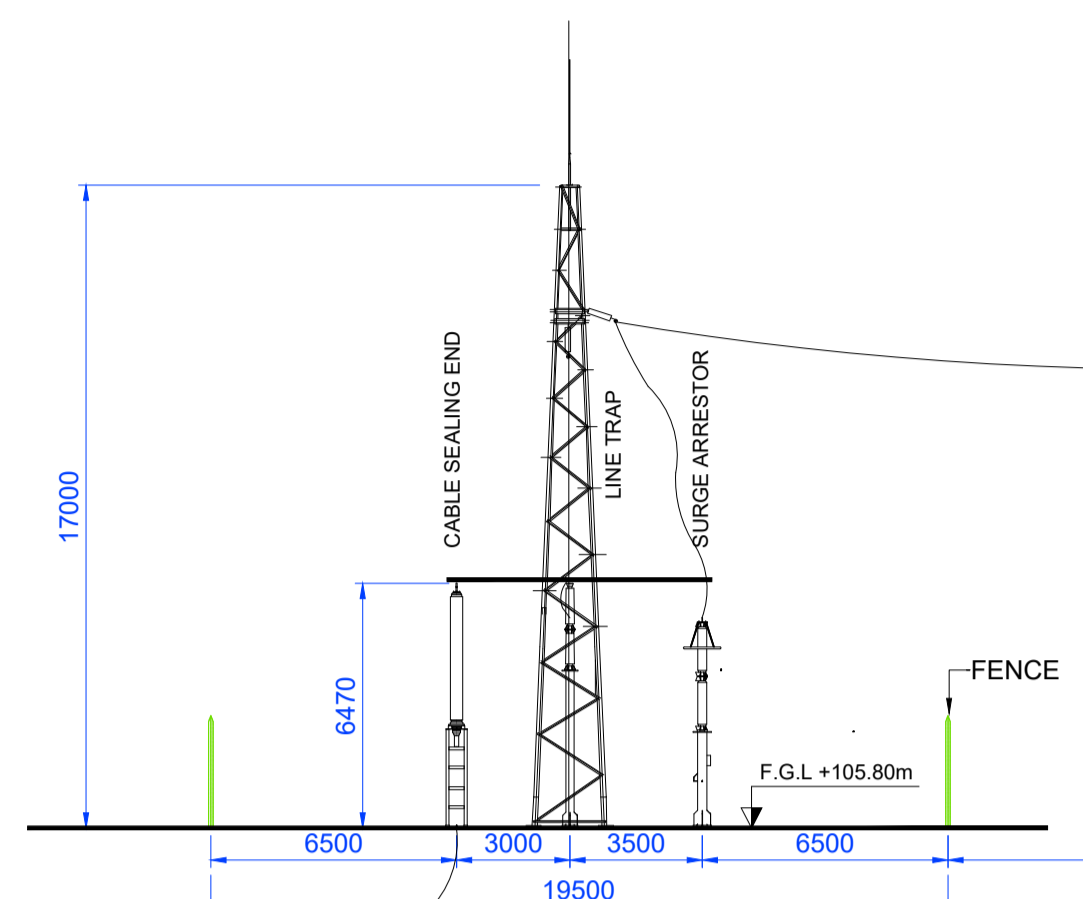
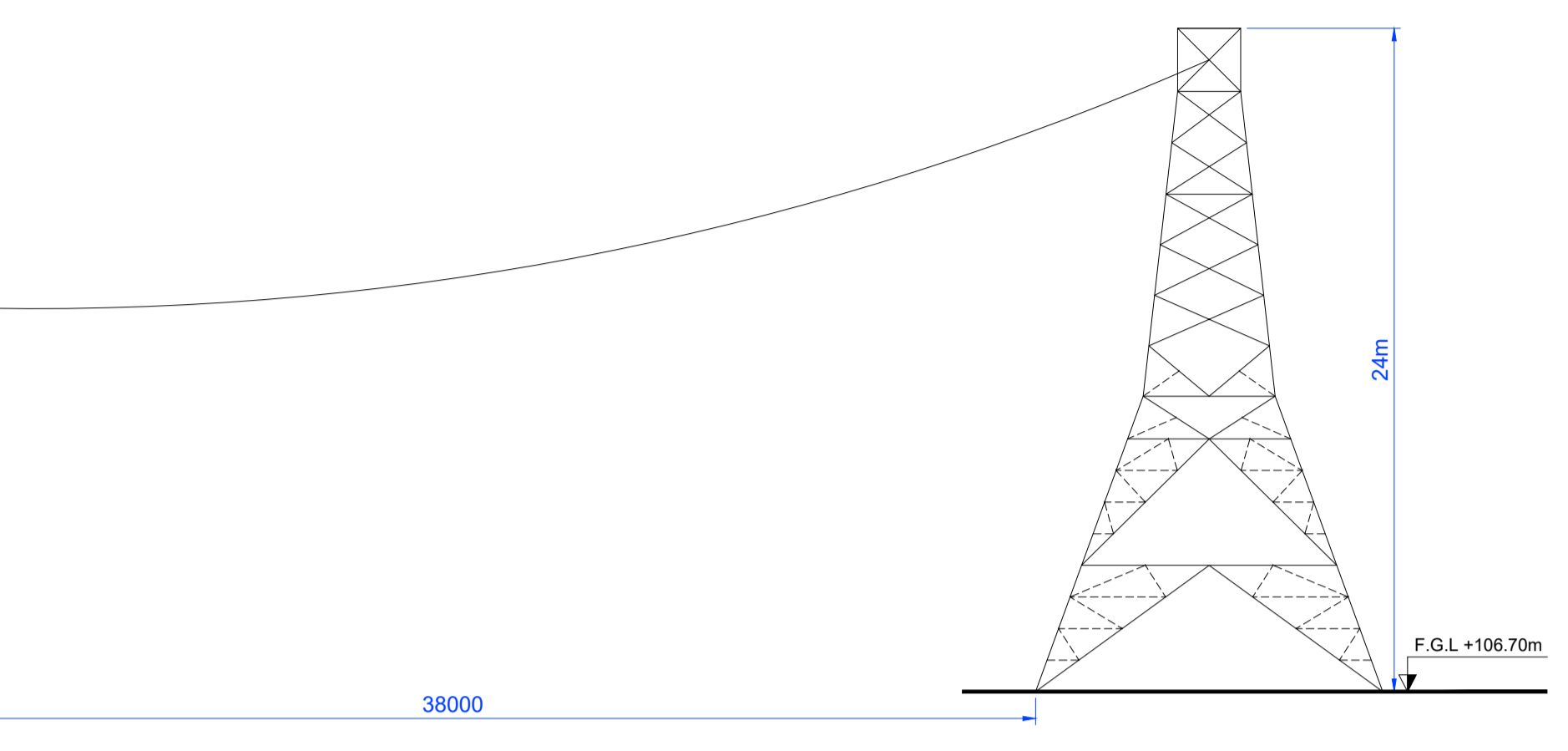


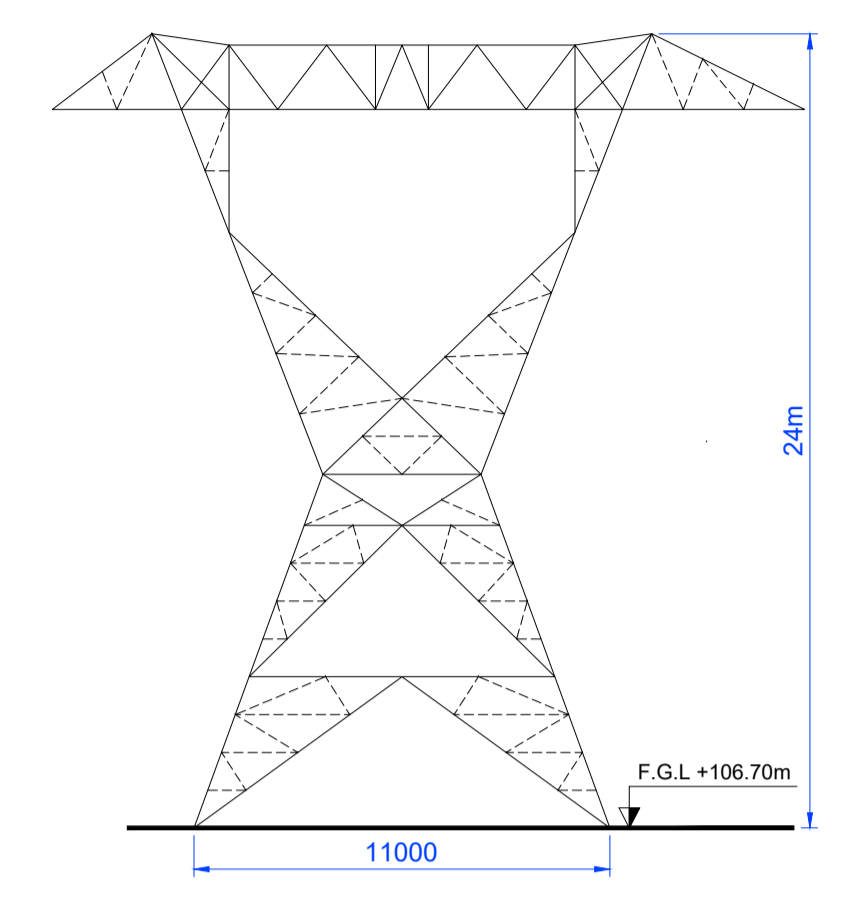
INTERFACE COMPOUND - NORTH ELEVATION
SCALE 1:200



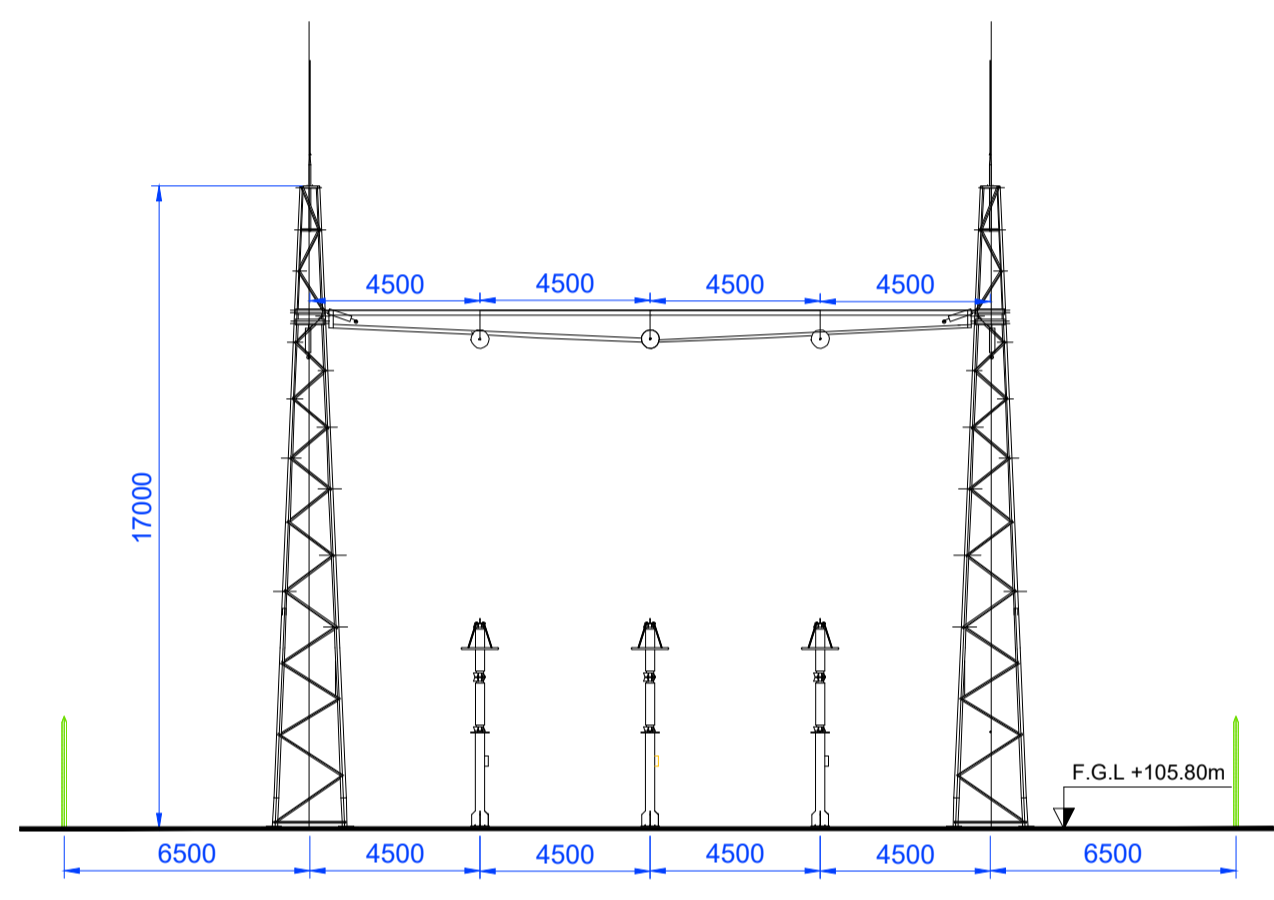
INTERFACE COMPOUND - WEST ELEVATION
SCALE 1:200



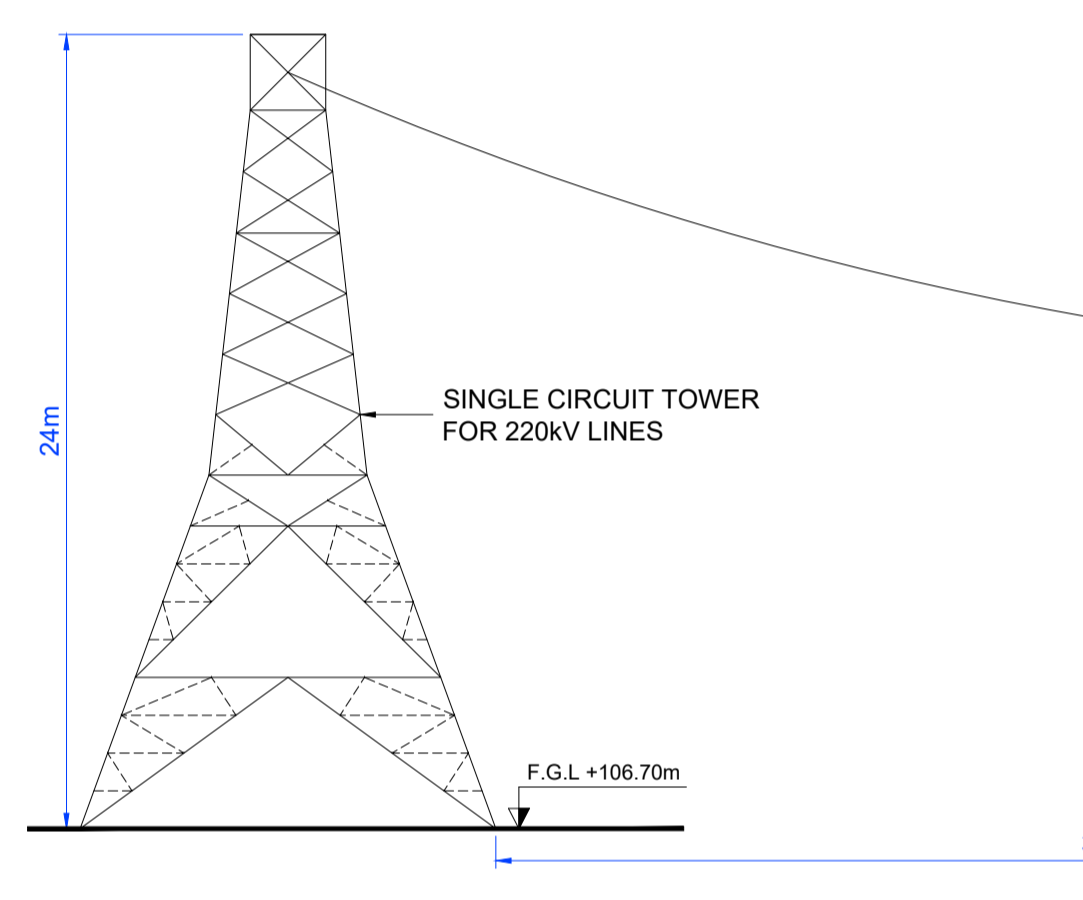
SINGLE CIRCUIT TOWER - WEST ELEVATION
SCALE 1:200



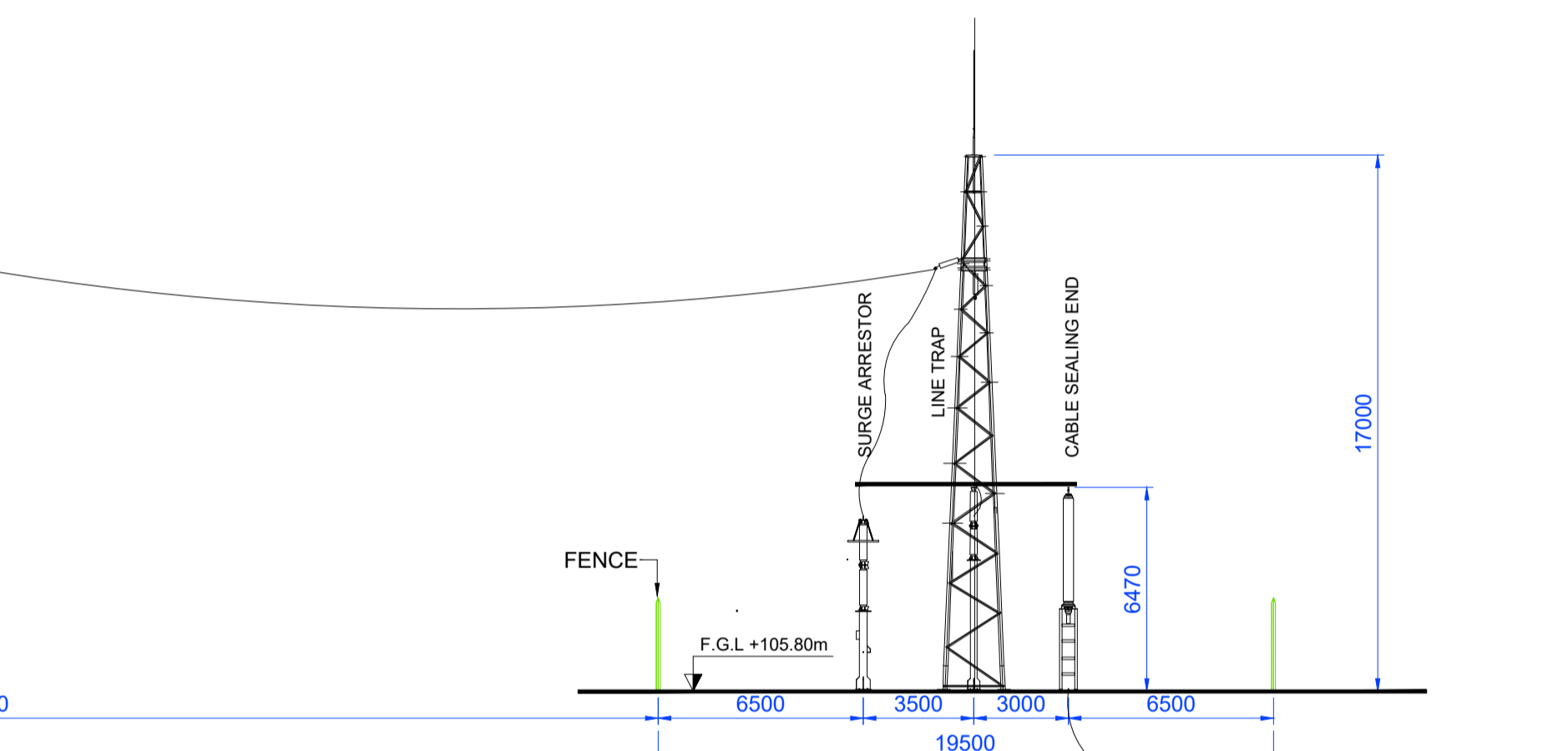
SINGLE CIRCUIT TOWER - NORTH ELEVATION
SCALE 1:200



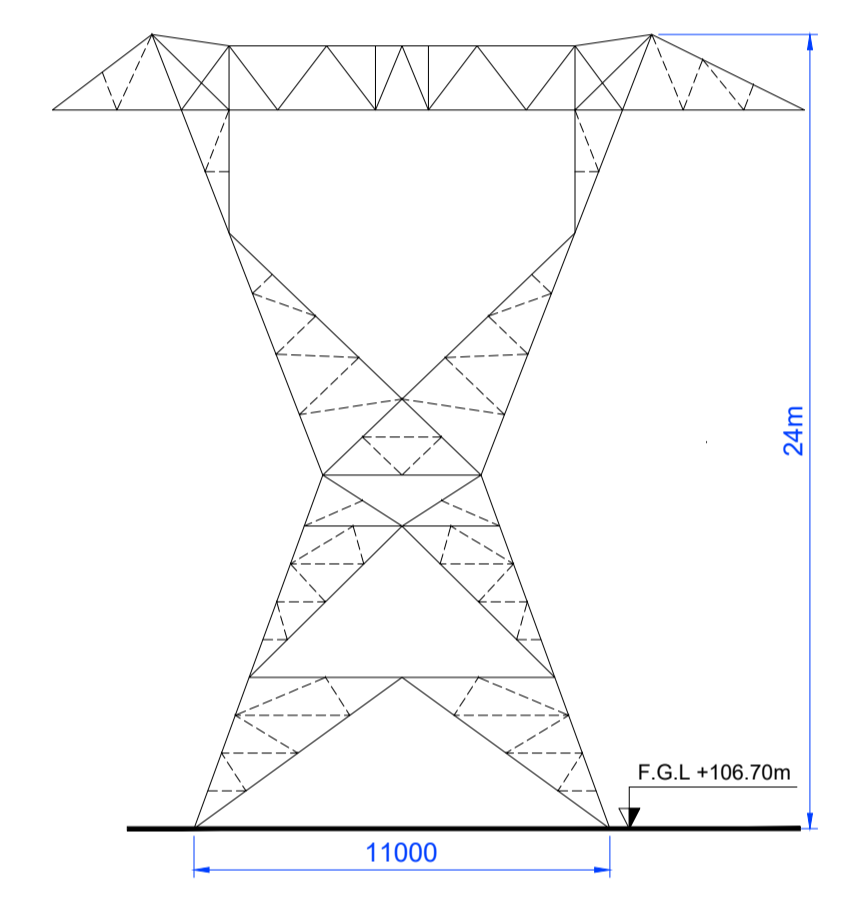
INTERFACE COMPOUND - SOUTH ELEVATION
SCALE 1:200



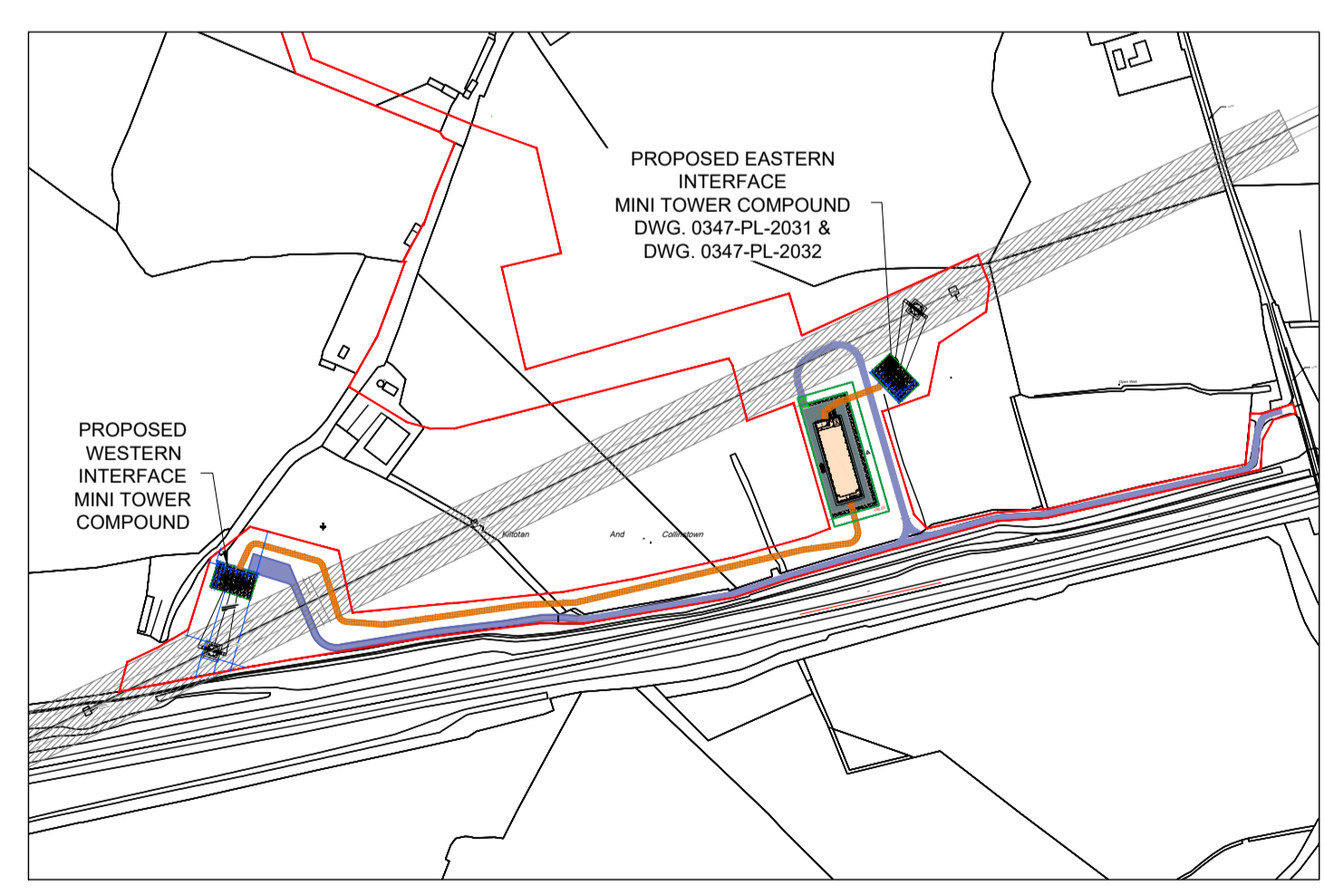
SINGLE CIRCUIT TOWER - EAST ELEVATION
SCALE 1:200



INTERFACE COMPOUND - EAST ELEVATION
SCALE 1:200



SINGLE CIRCUIT TOWER - SOUTH ELEVATION
SCALE 1:200



KEY PLAN
SCALE 1:5000

LEGEND:

PLANNING BOUNDARY	
2.65m PALISADE FENCE OR AS NOTED	
NEW ROAD	
220kV DUCT ROUTE	
150mm THICK LAYER OF 50mm SINGLE SIZED CRUSHED LIMESTONE ON CAPPING MATERIAL ON GEOTEXTILE LAYER OVER SUBGRADE.	
FINISHED LEVELS SHOWN TYPICAL	

Rev.	Modifications	By	Date
P1	REVIEW ISSUE	BB	10.09.21
P2	PLANNING ISSUE	BB	11.02.22

NOTES:
1 FIGURED DIMENSIONS ONLY TO BE TAKEN FROM THIS DRAWING.
2 THIS DRAWING TO BE READ IN CONJUNCTION WITH ALL OTHER RELEVANT DRAWINGS AND SPECIFICATIONS.

© COPYRIGHT OF

HALSTON

EMAIL: info@halston.ie
TEL: 094 9010111

**IHUB BUILDING
WESTPORT ROAD
CASTLEBAR
CO. MAYO,
F23 K162**

Client	LUMCLOON ENERGY	Drawn	BB	Checked	WD	Approved	CS
Project	LEL GIS, CASTLELOST CO. WESTMEATH	Project	PLANNING	Date	Sep 2021	Scales	AS SHOWN (A1)
Title	PROPOSED WESTERN INTERFACE MINI TOWER COMPOUND & SINGLE CIRCUIT TOWER ELEVATIONS	Sheet	1 of 1	Sheet Size	A1	Job No.	SEP-0347
		Dwg. No.	0347-PL-2034	Rev	P2		